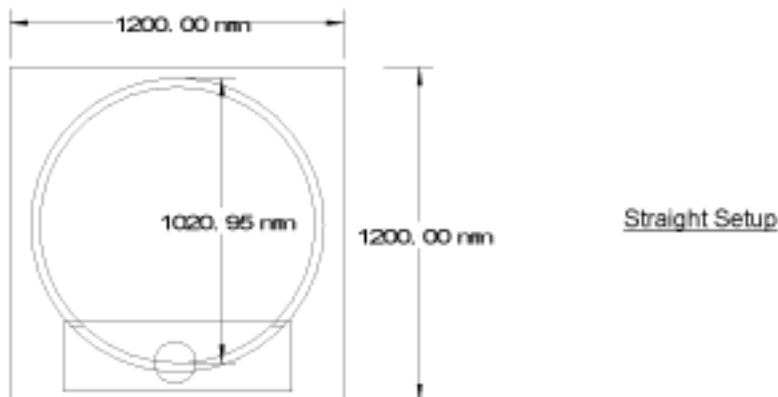
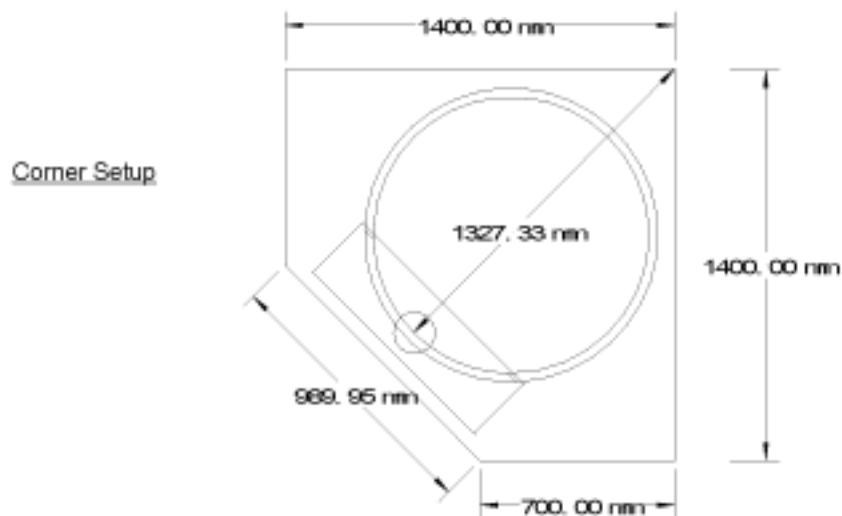


Z1100 Upstand Specs



Both upstand require an 80mm reinforced concrete top.
It is VERY important that the top is level and flat.